



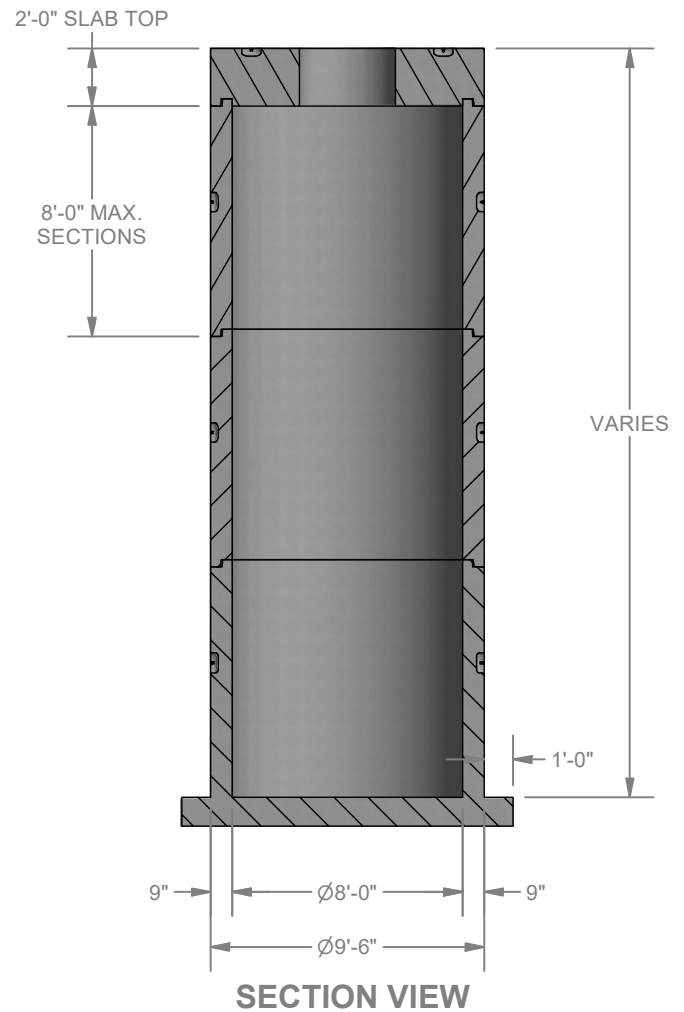
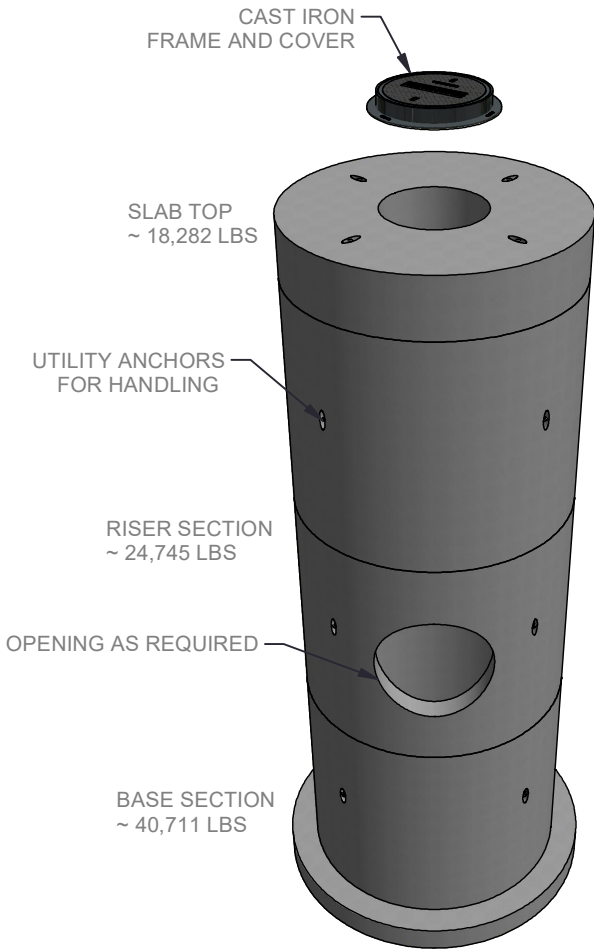
STRUCTURE ID: 90000

Precast Concrete 96" Diameter Round Manhole



CONTACT US FOR MORE INFORMATION

Precast Concrete 96" Diameter Round Manhole :: STRUCTURE ID : 90000



STANDARD MANHOLE FEATURES

- Designed for HS-20 Loading (32,000 lbs Axle Load)
- Blockouts as Needed (shown)
- Frame and Cover (shown)
- Extended Base (shown)

MANHOLE OPTIONS

- Thinwall Knockouts in lieu of Blockouts
- Custom Heights
- Cast-In Frame
- Embed Plates for Joint Connection

LOCKE
SOLUTIONS

PROUDLY BASED IN
HOUSTON, TEXAS

T : 832-804-7062
F : 832-804-7071
E : info@lockesolutions.com

LOCKESOLUTIONS.COM